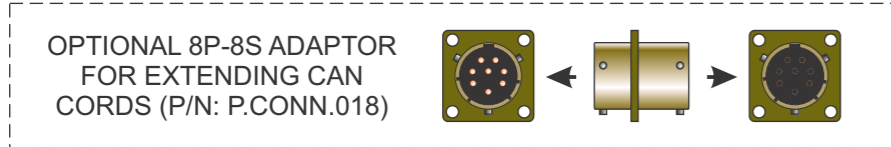


PARTS LIST		
DESCRIPTION	PART NUMBER	QTY
CONTROL PANEL	DUO2.CAN	1
SENSOR OPTION LEFT	SENSOR OPTIONS	1
SENSOR OPTION RIGHT	SENSOR OPTIONS	1
JOYSTICK	JOYSTICK OPTIONS	1
HYDRAULIC CORD	A.RS.080	1
CAN CORD	A.RS.110	2
CAN CORD	A.RS.111	1
POWER CORD	A.RS.123	1
POWER CORD	A.RS.001.NC	1
JOYSTICK EXT. CORD	A.RS.099	1
JOYSTICK CORD	A.RS.098	1
JOYSTICK BREAKAWAY BOX	IB.DUO2.JOY	1
DUO2 INTERFACE BOX	IB.DUO2.CAN	1
HIRSCHMANN OR DEUTSCH CONNECTORS	P.CONN.059/043/061 (Optional)	Up to 8

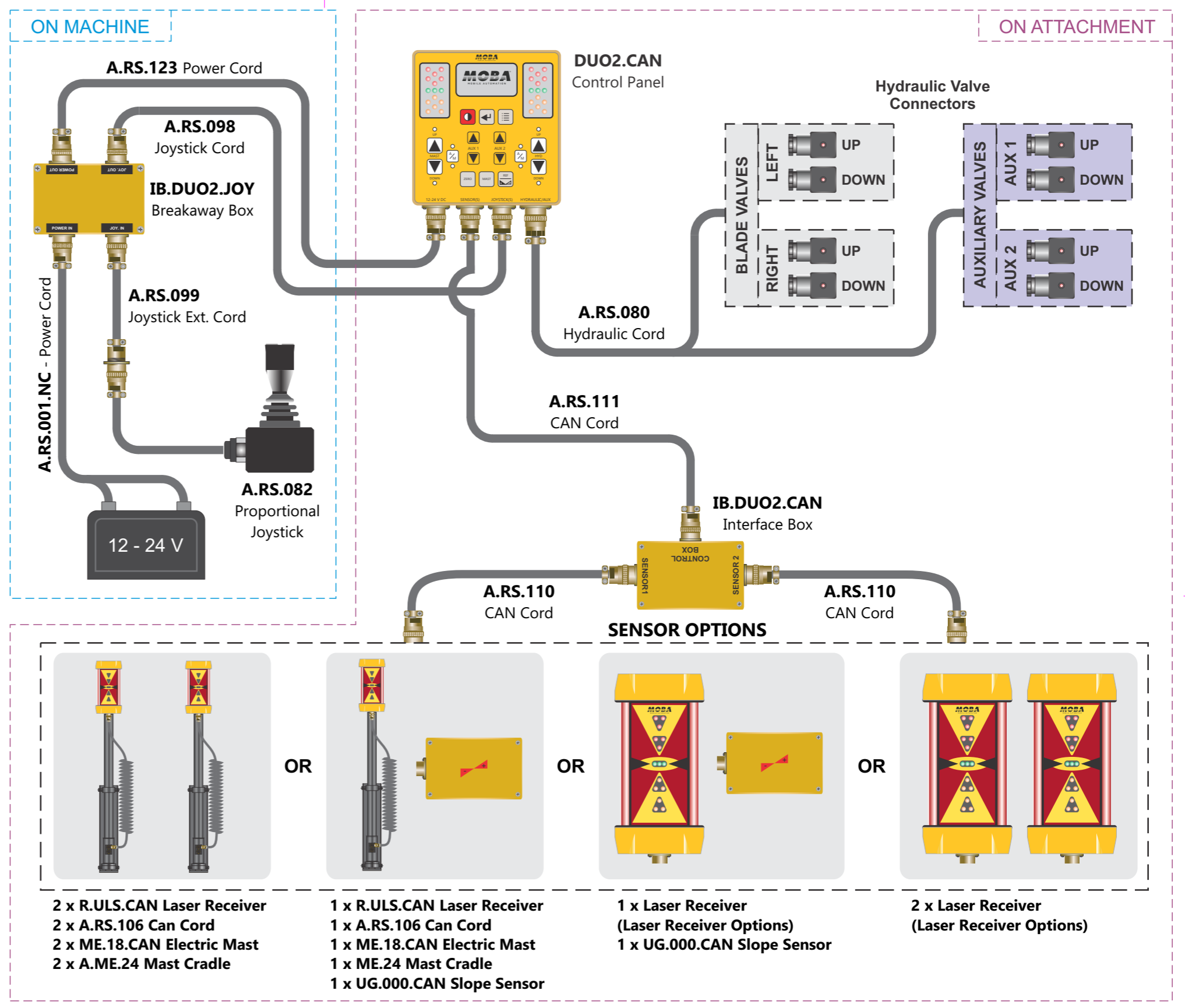
LASER RECEIVER OPTIONS	
R.ULS.CAN	5 CHANNEL RECEIVER
R.ULS.MM.CAN	5 CHANNEL MILLIMETER RECEIVER

CAN CORD OPTIONS	
A.RS.135	1.0m
A.RS.111	2.5m
A.RS.110	5.0m
A.RS.107	10.0m
A.RS.106	Curly Cord, 1.7m un-streched; 8.5m stretched



JOYSTICK OPTIONS	
A.RS.082	PROPORTIONAL JOYSTICK, AVAILABLE IN MACHINE-SPECIFIC VARIANTS
A.RS.076	MULTI-STICK FOR DUO2
A.RS.131	JOYSTICK CORD FOR SKID STEER, BARE WIRE

RevNo	Revision note	Date	Signature	Checked	Tolerances
1	Rearranged to be consistent with the rest of the setup diagrams.	08/02/21	N.A.	D.R. & C.R.	Unless Stated:
2	Updated the template.				xx.x = +/- 0.1
3	Updated graphics, sensor, cable and joystick options	4/08/25	T.K.	D.R. & C.R.	xx.xx = +/- 0.05
4	Swapped A.RS.111 and A.RS.098 connection to control panel	10/11/25	T.K.	D.R. & C.R.	xx.xxx = +/- 0.02



Path: \1-ADM\Product Documents\Setup Diagrams\Receiving Systems\  
 Material:   
 Drawn by: N.A. Checked by: D.R. & C.R. Unit:   
 Finish:   
 Date: 10/11/25 Scale: NTS   
**MOBA** MOBA Mobile Automation Australia  
 90 Willandra Drive, Epping  
 Victoria 3076, Australia  
 https://moba.com.au   
 Title: **SETUP DIAGRAM FOR DUO2 WITH JOYSTICK BREAKAWAY JUNCTION BOX**  
 Drawing No: Version: 4 Sheet: 1/1