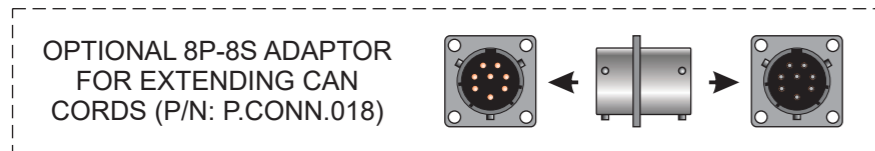
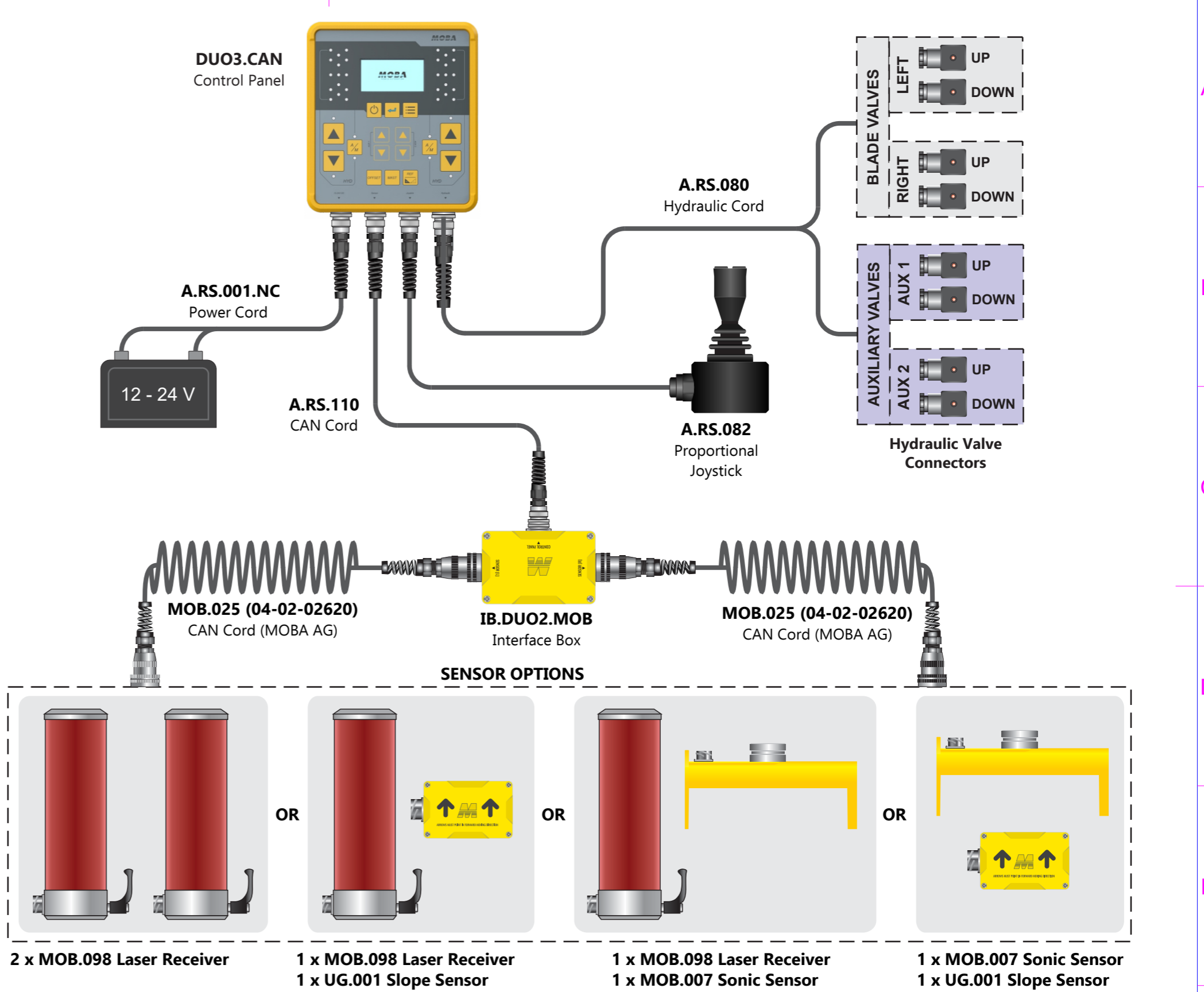


PARTS LIST		
DESCRIPTION	PART NUMBER	QTY
CONTROL PANEL	DUO3.CAN	1
SENSOR OPTION LEFT	SENSOR OPTIONS	1
SENSOR OPTION RIGHT	SENSOR OPTIONS	1
JOYSTICK (OPTIONAL)	JOYSTICK OPTIONS	1
HYDRAULIC CORD	A.RS.080	1
CAN CORD	A.RS.110	1
CAN CORD (MOBA AG)	MOB.025	2
POWER CORD	A.RS.001.NC	1
INTERFACE BOX	IB.DUO2.MOB	1
HIRSCHMANN OR DEUTSCH CONNECTORS (OPTIONAL)	P.CONN.059/043/061	Up to 8

CAN CORD OPTIONS	
A.RS.135	1.0m
A.RS.111	2.5m
A.RS.110	5.0m
A.RS.107	10.0m
A.RS.106	Curly Cord, 1.7m un-stretched; 8.5m stretched



JOYSTICK OPTIONS	
A.RS.082	PROPORTIONAL JOYSTICK, AVAILABLE IN MACHINE-SPECIFIC VARIANTS
A.RS.076	MULTI-STICK FOR DUO2
A.RS.131	JOYSTICK CORD FOR SKID STEER, BARE WIRE



RevNo	Revision note	Date	Signature	Checked	Tolerances	Path: \1-ADM\Product Documents\Setup Diagrams\Receiving Systems\					
1	Rearranged to be consistent with the rest of the setup diagrams.	04/02/21	N.A.	D.R. & C.R.	Unless Stated:	Material:		Finish:			
2	Replaced MOBA slope sensor with UG.001.				xx.x = +/- 0.1	Drawn by:	Checked by:	Unit:	aumoba Code:	Date:	Scale:
3	Updated the template.				xx.xx = +/- 0.05	N.A.	D.R.			24/04/26	NTS
4	Updated graphics, cord & joystick options, company details.	4/08/25	T.K.	D.R. & C.R.	xx.xxx = +/- 0.02				Title: SETUP DIAGRAM FOR DUO2.CAN MOBA SENSOR OPTION		
5	Added 3rd generation panels & IB boxes	24/04/26	T.K.	D.R. & C.R.	Drawing No:				Version:	Sheet:	

MOBA Mobile Automation Australia
 90 Willandra Drive, Epping
 Victoria 3076, Australia
<https://moba.com.au>

Title: **SETUP DIAGRAM FOR DUO2.CAN MOBA SENSOR OPTION**
 Drawing No: _____ Version: **5** Sheet: **1/1**